

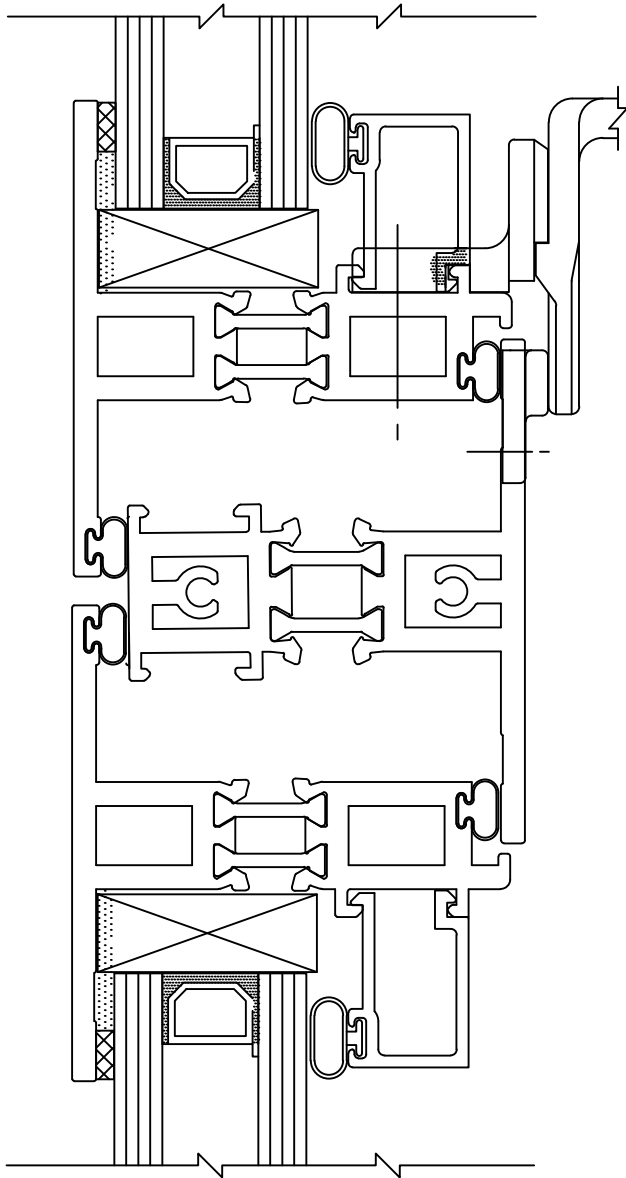
Series 350I
Sections



Project-Out
Details

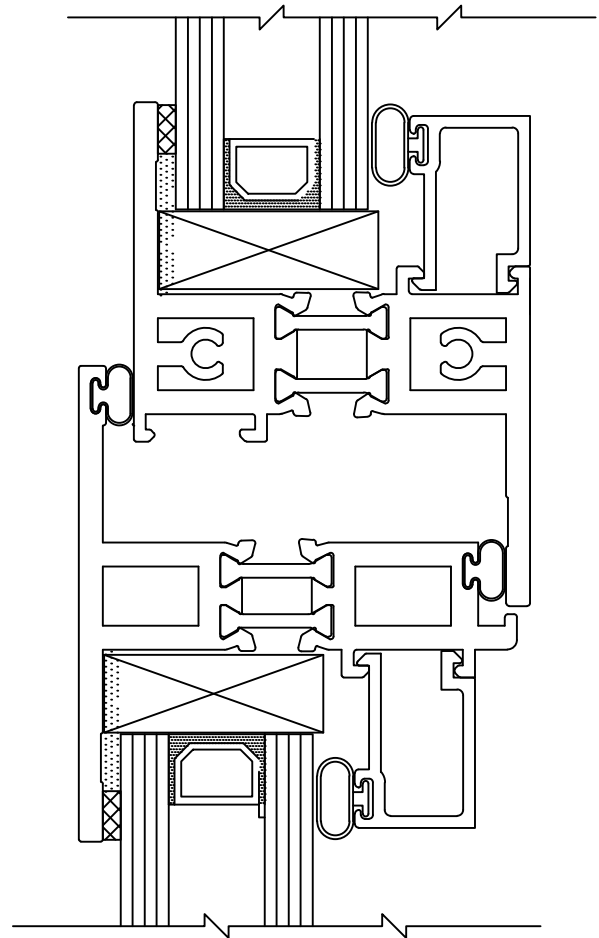
Page No.
350C3

Win-Vent Architectural Windows 2401 S. Main Street Fort Scott Kansas 66701
(620) 223-1111 (800) 295-3113 Fax (620) 223-1139 www.winventwindows.com



HORIZONTAL MUNTIN
FIXED/PROJECT-OUT

6
350C3



5
350C3

HORIZONTAL MUNTIN
PROJECT-OUT/PROJECT-OUT