

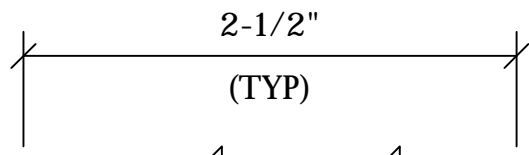
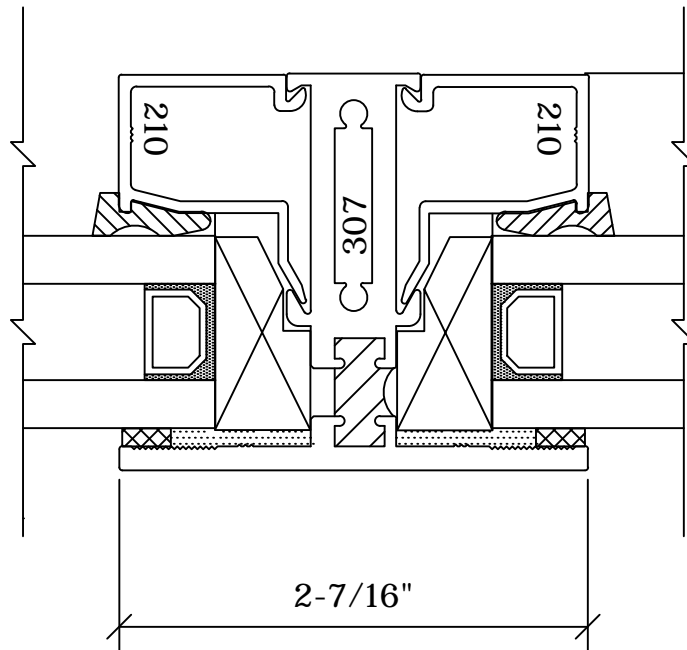
Series 350
Sections



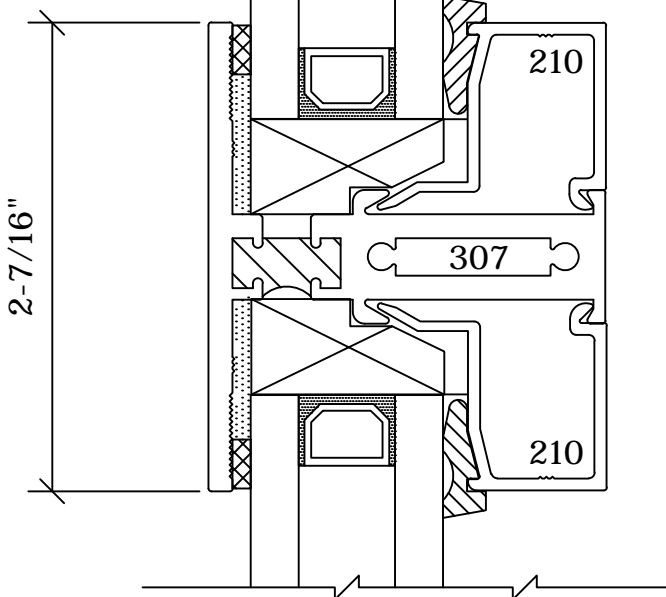
Fixed
Details

Page No.
35A2

Win-Vent Architectural Windows 2401 S. Main Street Fort Scott Kansas 66701
(620) 223-1111 (800) 295-3113 Fax (620) 223-1139 www.winventwindows.com



4
35A2 VERTICAL
TRUE MUNTIN



5
35A2 HORIZONTAL
TRUE MUNTIN