

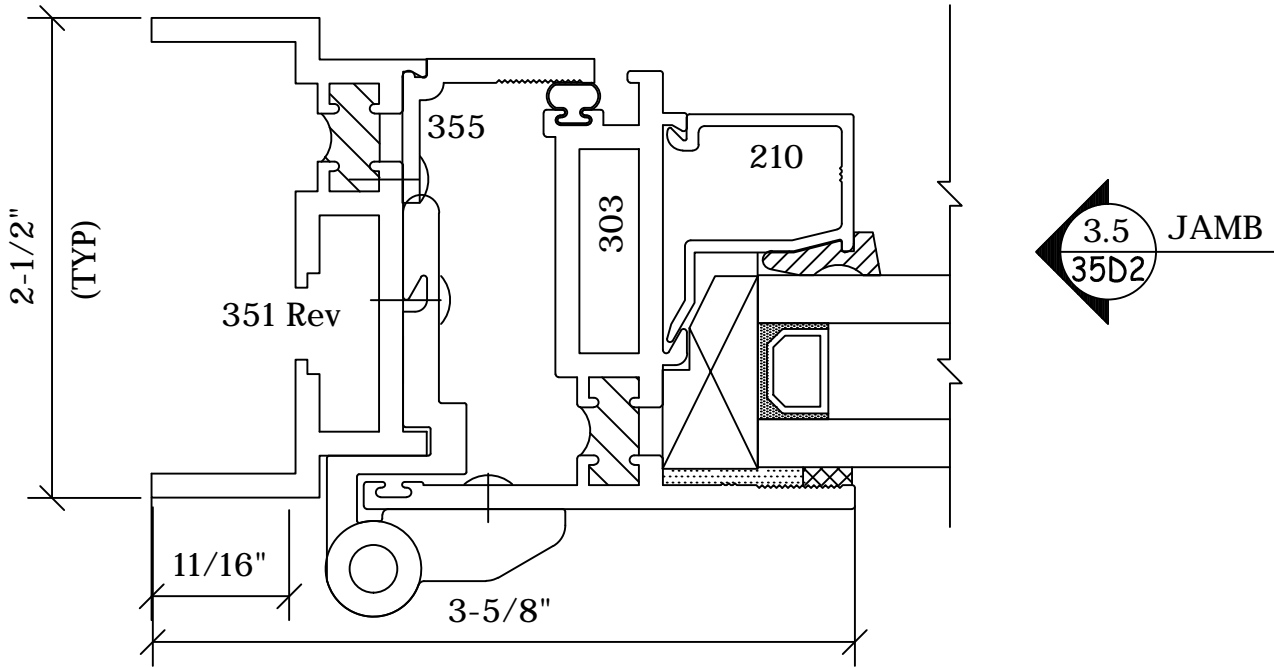
Series 350  
Sections



Casement  
Details

Page No.  
**35D2**

Win-Vent Architectural Windows 2401 S. Main Street Fort Scott Kansas 66701  
(620) 223-1111 (800) 295-3113 Fax (620) 223-1139 www.winventwindows.com



VERTICAL MUNTIN

4  
35D2

