

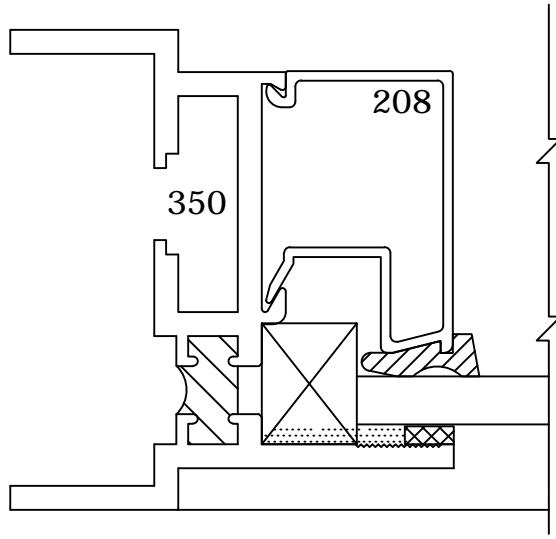
Series 350
Sections



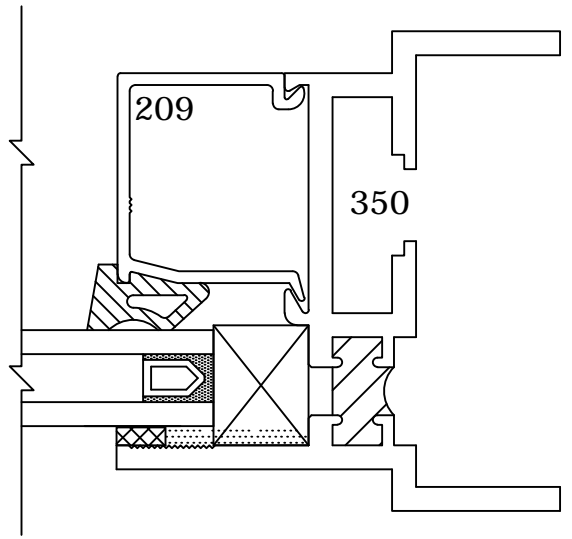
Optional
Glazing

Page No.
35F7

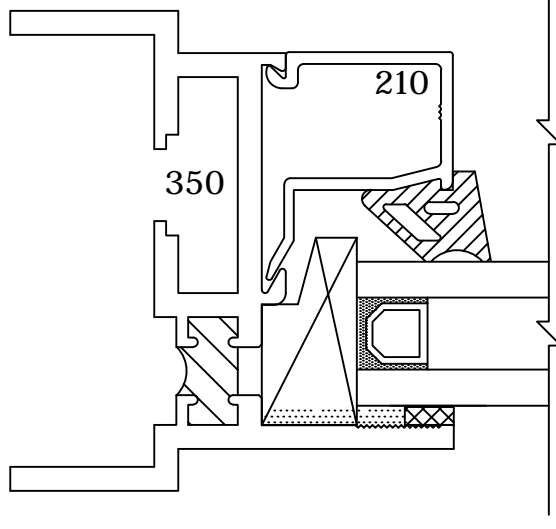
Win-Vent Architectural Windows 2401 S. Main Street Fort Scott Kansas 66701
(620) 223-1111 (800) 295-3113 Fax (620) 223-1139 www.winventwindows.com



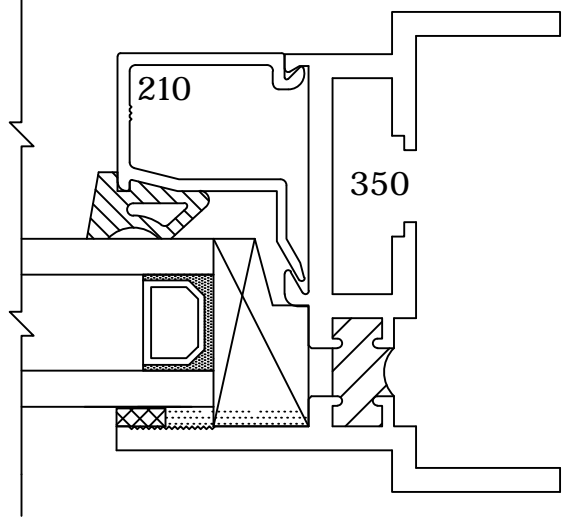
1
35F7 1/4" MONOLITHIC



2
35F7 1/2" INSULATED
5/8" SIMILAR



3
35F7 3/4" INSULATED



4
35F7 7/8" INSULATED
1" SIMILAR

NOTE:
1" IGU SHOWN ON
ALL PREVIOUS PAGES