

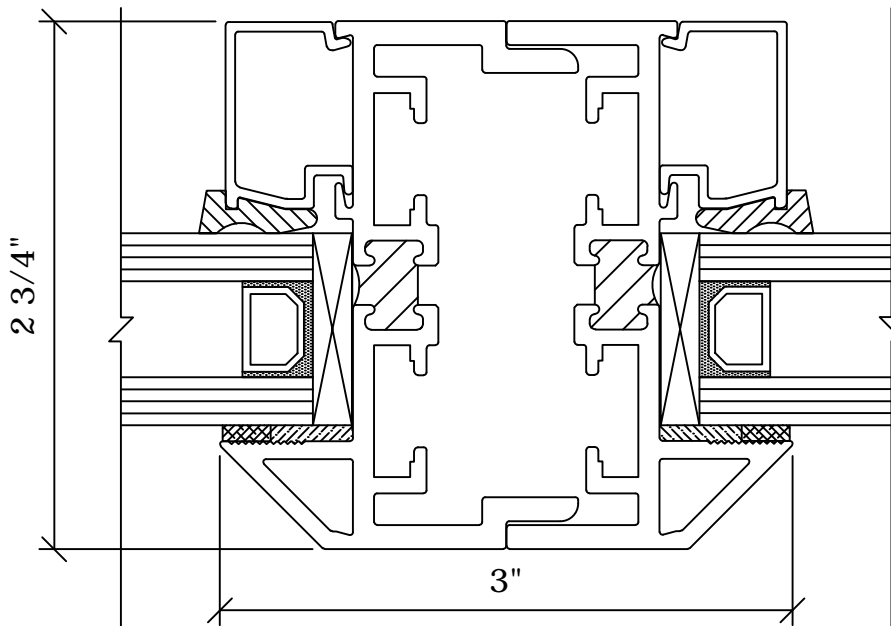
Series 500
Details



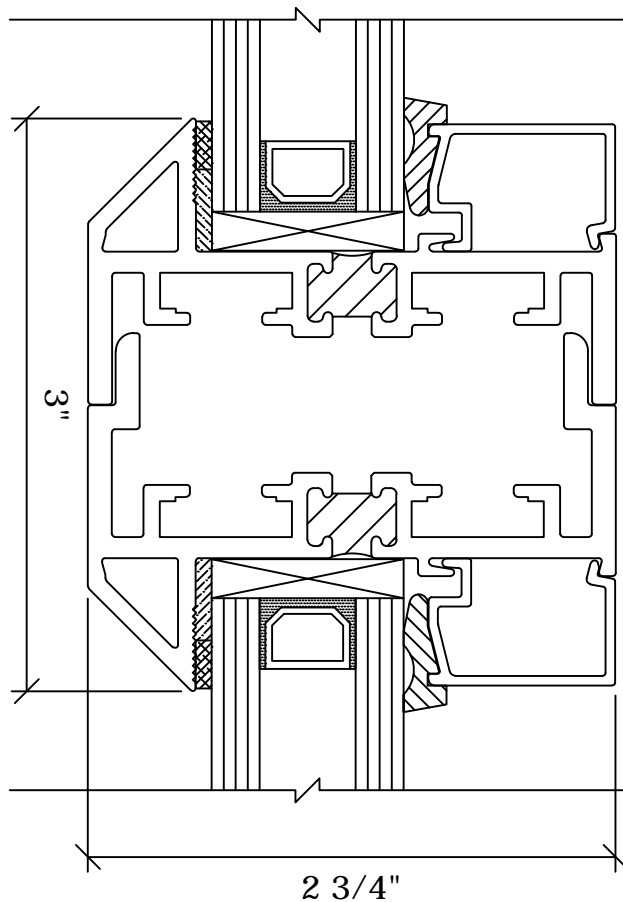
Fixed Horizontal
Stack & Vertical
Self-Mull

Page No.
5K1

Win-Vent Architectural Windows 2401 S. Main Street Fort Scott Kansas 66701
(620) 223-1111 (800) 295-3113 Fax (620) 223-1139 www.winventwindows.com



Fixed / Fixed
Self-Mull



Fixed / Fixed
Stack Joint