

Series 500  
Sections



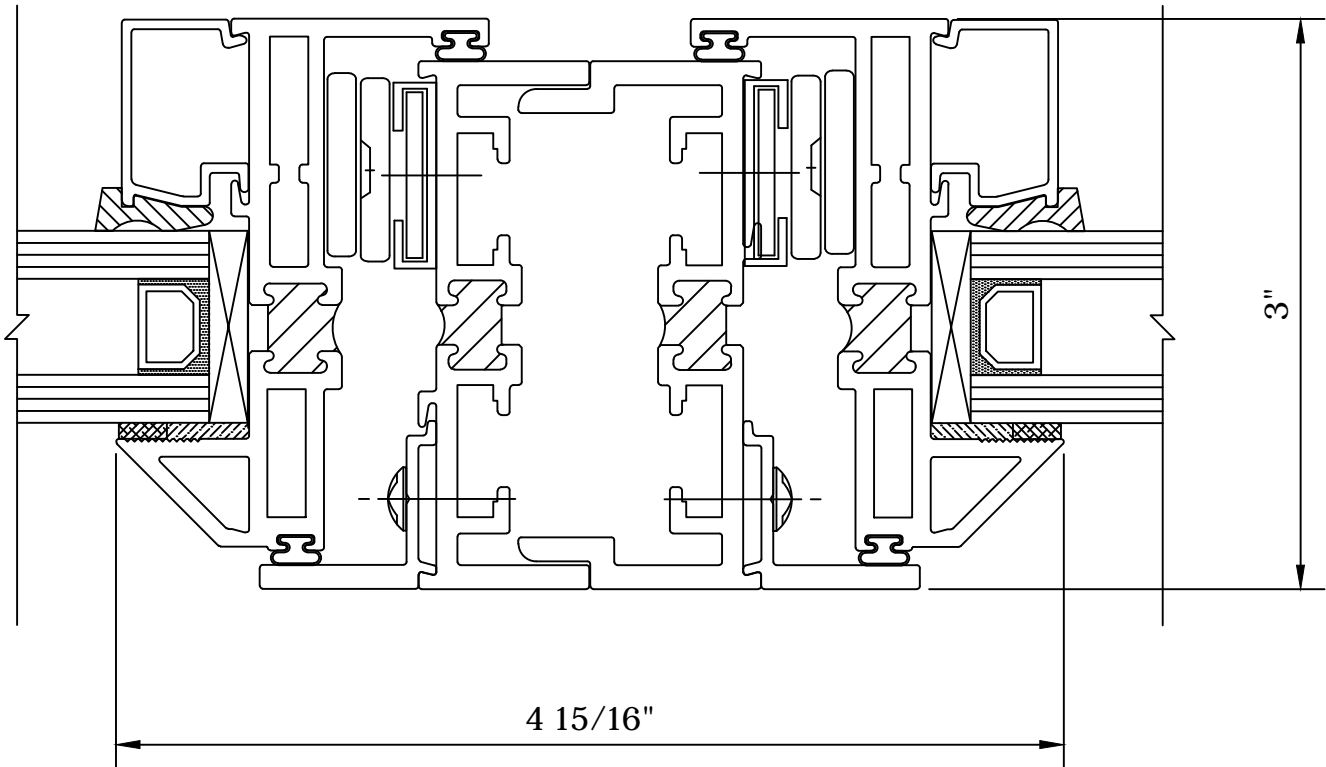
architectural windows  
a division of extrusions, inc.


PI - PI  
Self-Mull

Page No.

5K3

Win-Vent Architectural Windows 2401 S. Main Street Fort Scott Kansas 66701  
(620) 223-1111 (800) 295-3113 Fax (620) 223-1139 www.winventwindows.com



 Vertical  
Self-Mull