

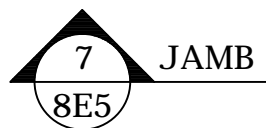
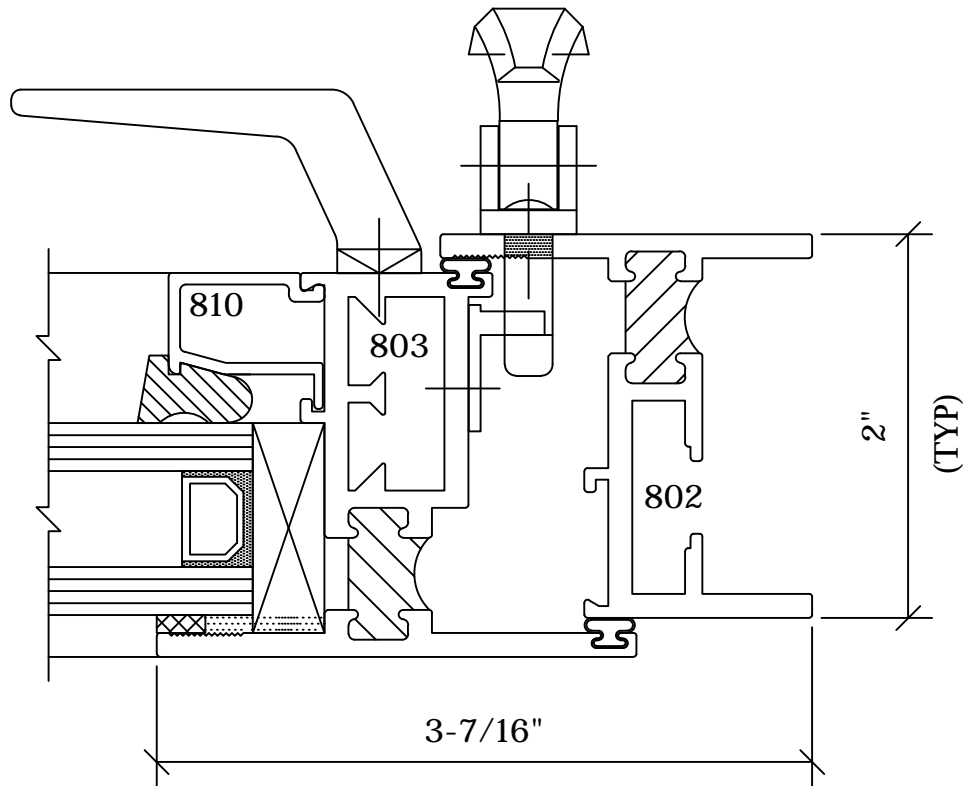
Series 800
Sections



Egress
Details

Page No.
8E5

Win-Vent Architectural Windows 2401 S. Main Street Fort Scott Kansas 66701
(620) 223-1111 (800) 295-3113 Fax (620) 223-1139 www.winventwindows.com



STANDARD EGRESS HARDWARE:

Sash under 60" tall & less than 60 lbs. - will be manufactured with (1) 2-Point Locking Device, (1) pair of Andenberg 333SS or 334SS Concealed Egress Hinges & (1) Pull Handle

Sash under 60" tall & greater than 60 lbs. - will be manufactured with (1) 2-Point Locking Device, (1) pair 5-Knuckle Butt Hinges, (1) Pull Handle & (1) Friction Adjuster

Sash over 60" tall, regardless of weight - will be manufactured with (1) 2-Point Locking Device, (3) 5-Knuckle Butt Hinges, (1) Pull Handle & (1) Friction Adjuster

Win-Vent will use the hardware combination shown above unless otherwise specified.