

Series 900  
Sections

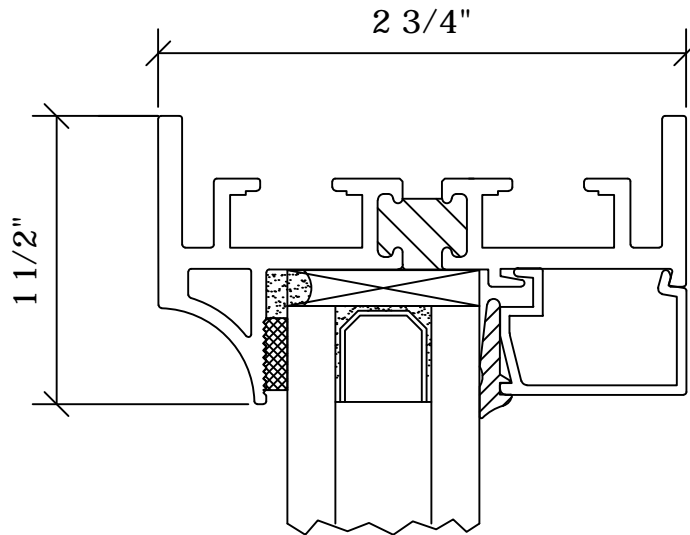


Fixed  
Details

Page No.

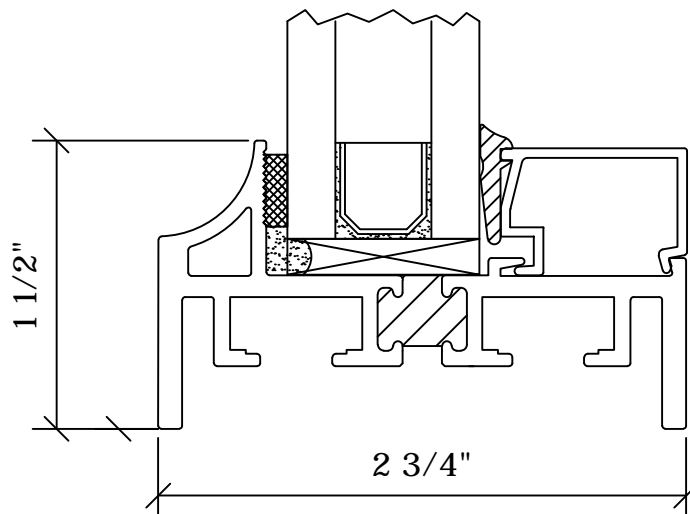
9A1

Win-Vent Architectural Windows 2401 S. Main Street Fort Scott Kansas 66701  
(620) 223-1111 (800) 295-3113 Fax (620) 223-1139 www.winventwindows.com



1

Fixed Head



2

Fixed Sill