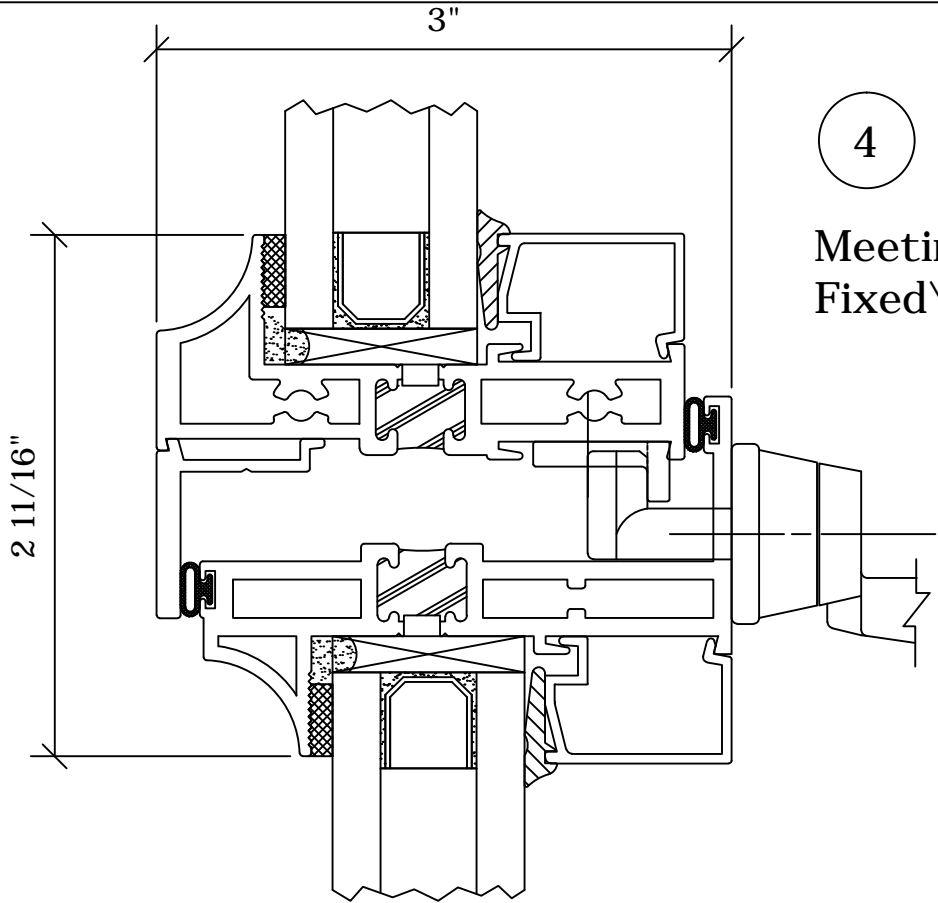


Win-Vent Architectural Windows 2401 S. Main Street Fort Scott Kansas 66701
(620) 223-1111 (800) 295-3113 Fax (620) 223-1139 www.winventwindows.com



4

Meeting Rail @
Fixed\PI Vent

3

Jamb @ PI Vent

