

Series 900
Sections

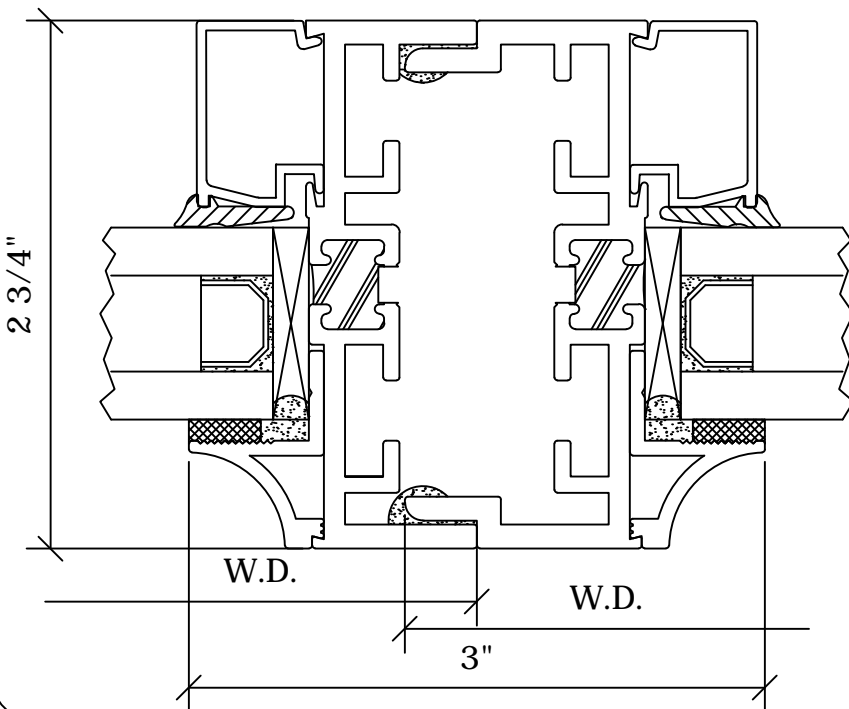
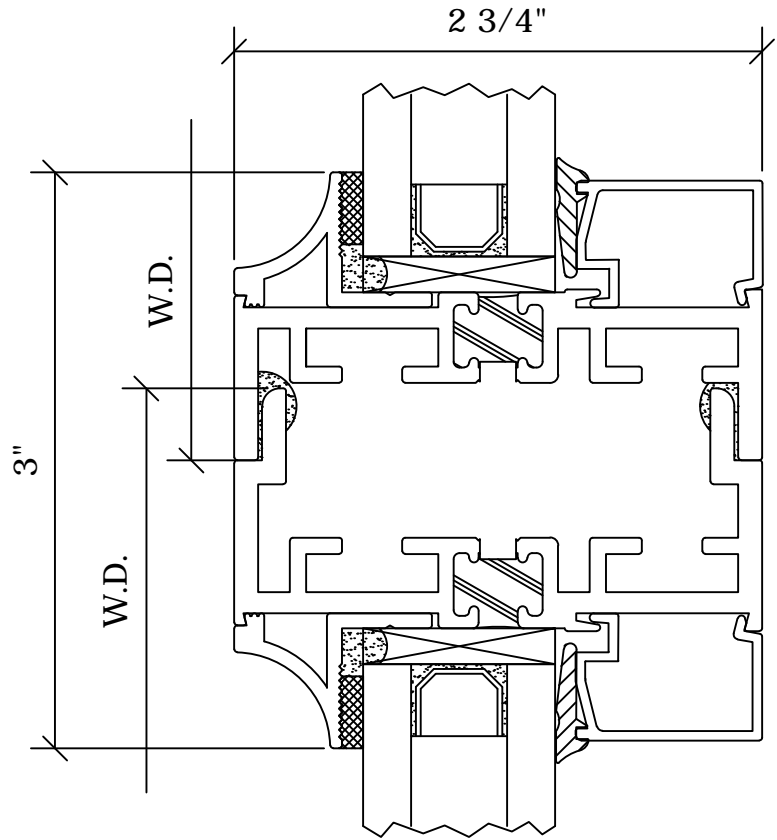


Self-Mull
Details

Page No.
9E1

Win-Vent Architectural Windows 2401 S. Main Street Fort Scott Kansas 66701
(620) 223-1111 (800) 295-3113 Fax (620) 223-1139 www.winventwindows.com

VERTICAL SIDE-STACK
FIXED/FIXED



HORIZONTAL STACK
FIXED-FIXED