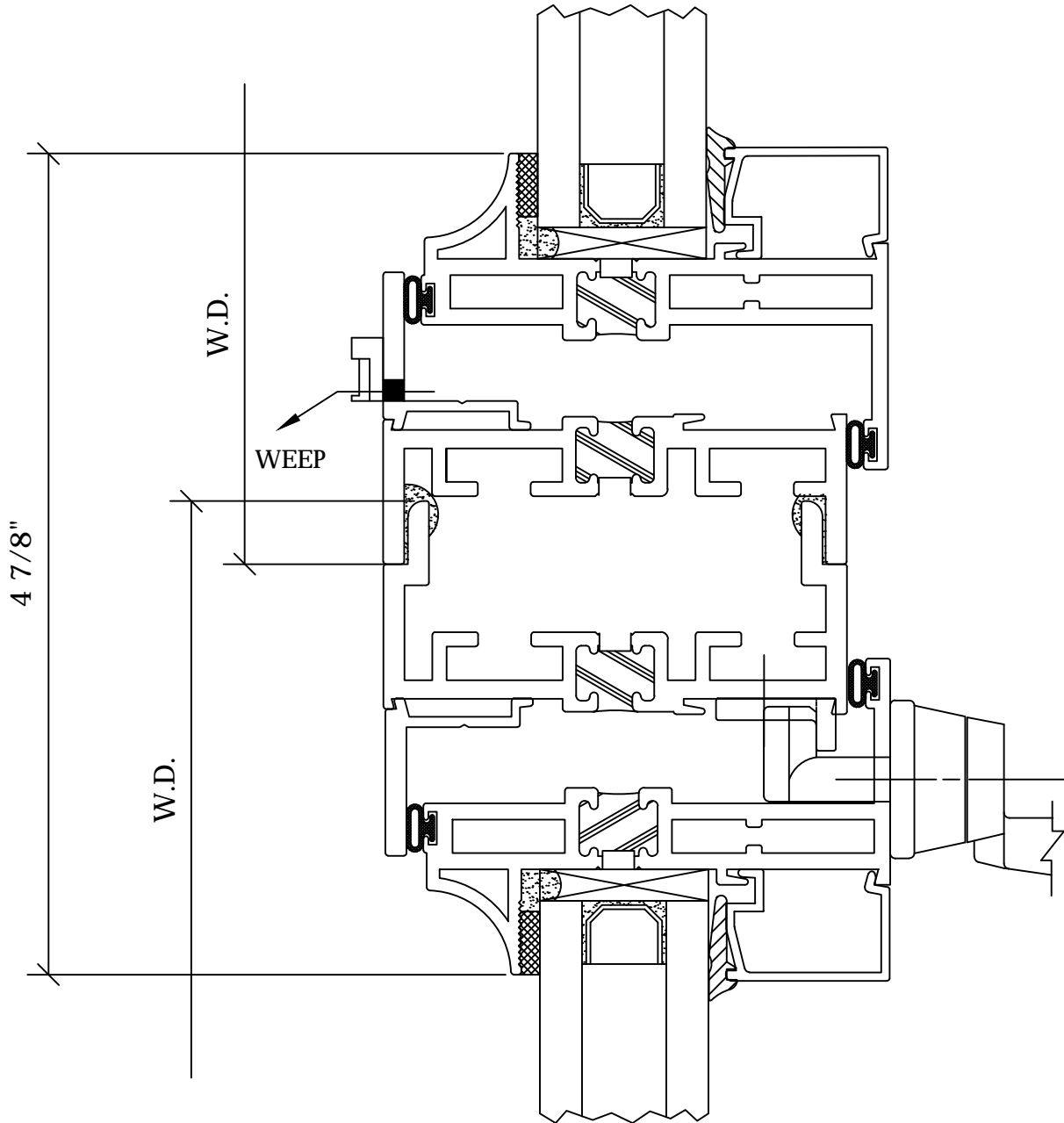


Self-Mulls Details



Series 900 Sections

Win-Vent Architectural Windows 2401 S. Main Street Fort Scott Kansas 66701
 (620) 223-1111 (800) 295-3113 Fax (620) 223-1139 www.winventwindows.com



HORIZONTAL STACK
 PROJECT IN / PROJECT IN

