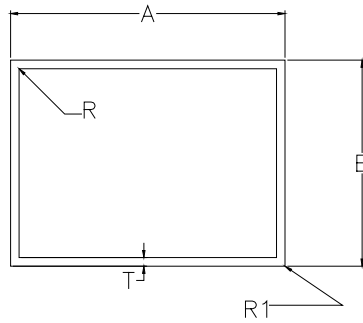


RECTANGLES

DIE	A	B	T	R	R1	WEIGHT LB./FT
2630H	1.500	2.000	.125	NA	.010	.976
2921H	3.000	1.250	.125	NA	.187	1.200
3304H	4.500	1.750	.120	NA	.031	1.760
3420H	1.000	2.000	.188	NA	NA	1.185
3872H	1.500	4.500	.187	NA	NA	2.610
4426H	3.010	2.221	.062	.190	.250	.744
4427H	2.790	1.990	.063	.190	.250	.677
4428H	2.570	1.770	.063	.190	.250	.610
4429H	2.350	1.550	.063	.190	.250	.542
5031H	.718	.500	.093	.032	.032	.232
5880H	1.000	2.000	.062	NA	NA	.428
6359H	1.000	1.500	.060	.031	.093	.343
6579H	2.000	1.500	.060	.030	.030	.486
7515H	3.000	2.000	.188	.188	.188	2.087
7686H	3.000	1.410	.200	.125	.020	1.941
8110H	3.000	2.000	.125	.031	.031	1.424
8227H	1.688	.688	.125	.015	.015	.637