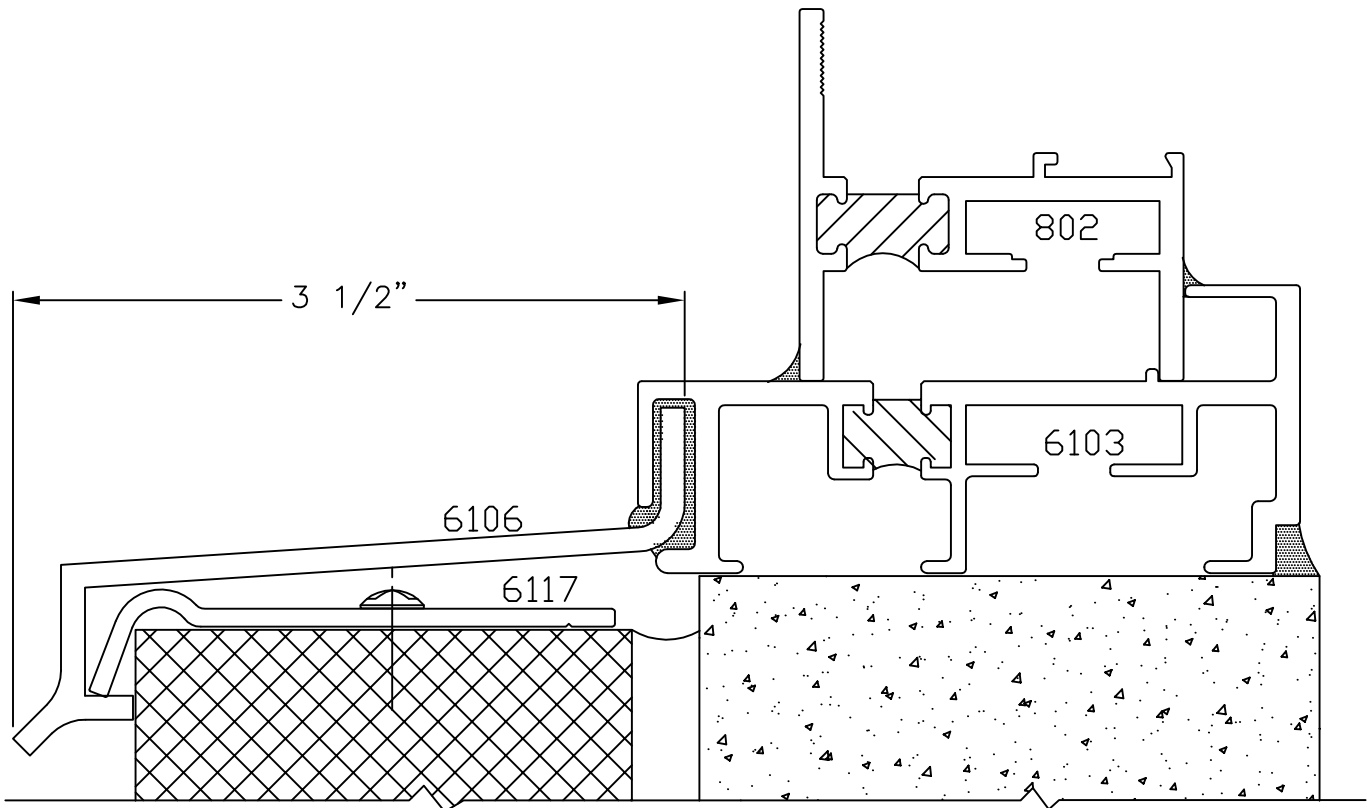


Win-Vent Architectural Windows 2401 S. Main Street Fort Scott Kansas 66701  
(620) 223-1111 (800) 295-3113 Fax (620) 223-1139 www.winventwindows.com

**\*\* Also works with S-300, S-350, S-500**



Also Available

- |      |             |
|------|-------------|
| 6111 | 4" Wide     |
| 6107 | 4 1/2" Wide |
| 6109 | 5" Wide     |
| 6108 | 5 1/2" Wide |
| 6110 | 6" Wide     |